

QX-1



Quick Connect Interface Device

The QX-1 interface device distributes power, communications, and I/O, and simplifies installation of QX Platform products.

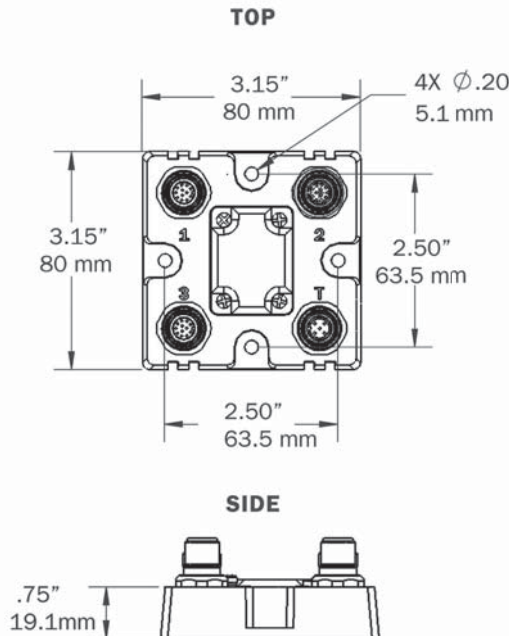
Featuring the Quick Connect system, this device includes four M12 Ultra-Lock™ connectors which provide quick and easy network setup and deployment, as well as flexible mounting options. With Quick Connect technology and IP65 industrial sealing, the QX-1 is a powerful accessory to complement the QX Platform.

QX-1: At a Glance

- M12 Ultra-Lock Connectors
- Switches for Power and Trigger
- LED Power Indicators
- IP65 Enclosure
- DIN Rail Mounting Option

MECHANICAL

- Depth:** 3.15" (80 mm)
- Width:** 2.50" (83.5 mm)
- Height:** .75" (19.1 mm)
- Weight:** 7-oz. (200 g)



PIN ASSIGNMENTS

CONNECTOR 1 & 3

M12 12-pin plug

CONNECTOR T

M12 4-pin socket

CONNECTOR 2

M12 12-pin socket

QX-1 WIRING DIAGRAM

