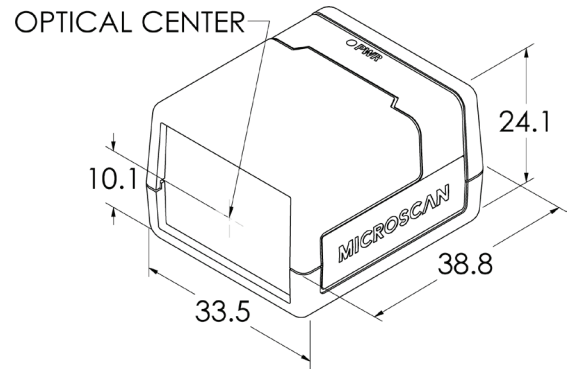


# MICROHAWK ID-20

## SPECIFICATIONS AND OPTIONS



### DIMENSIONS

**Height:** 24 mm (0.94")  
**Width:** 34 mm (1.34")  
**Length:** 39 mm (1.54")  
**Weight:** 26 g (0.92 oz.)

### ENCLOSURE

IP40, Plastic

### ENVIRONMENTAL

**Operating Temperature:** 0° to 40° C (32° to 104° F)  
**Storage Temp.:** -50° to 75° C (-58° to 167° F)  
**Humidity:** 5% to 95% (non-condensing)  
**Operating Life:** 50,000 hours @ 25° C

### EMISSIONS

EN 55022:2010 Class A Limits

### ELECTRICAL

5 VDC ± 5%; 350 mA at 5 VDC (typ.)

### CONNECTOR

Micro-B USB

### COMMUNICATION

USB 2.0 High Speed, Ethernet over USB/HID

### ILLUMINATION

High-Output LEDs: 4 Red (625 nm), 4 White

### INDICATORS

Power LED, 2 Target Pattern LEDs, 2 Good Read Green Flash LEDs

### SPEED

Standard (up to 10 FPS)

### MEMORY

2 GB Non-Volatile Flash, 256 MB RAM

### DECODER

Standard (High-Contrast 1D);  
 Plus (High-Contrast 1D/2D);  
 X-Mode (Poor or Damaged 1D/2D)

### DENSITY

Standard or High-Density

### SENSOR OPTIONS

**WVGA (Mono):** CMOS 0.34 MP (752 x 480)  
**SXGA (Mono):** CMOS 1.2 MP (1280 x 960)  
**QSXGA (Color):** CMOS 5 MP (2592 x 1944)

### SHUTTER

Global (WVGA, SXGA), Rolling (QSXGA)

### EXPOSURE

50 - 100,000; Default: 2,500 µs

### FOCUS

Fixed (50-300 mm)

### FRAMES PER SECOND

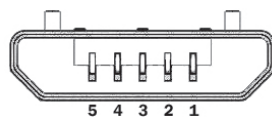
**WVGA:** Up to 60; **SXGA:** Up to 42;  
**QSXGA:** Up to 5

### SYMBOLOGIES

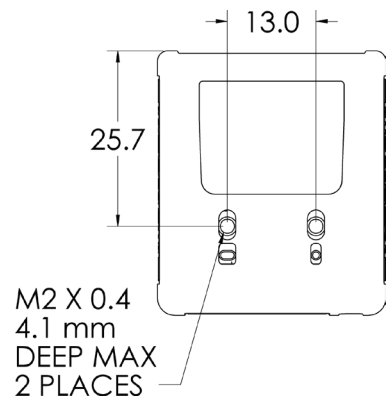
**2D:** Data Matrix (ECC 0-200), QR Code, Micro QR Code, Aztec Code  
**Stacked:** PDF417, MicroPDF417, GS1 Databar (Composite and Stacked)  
**Linear:** Code 39, Code 128, BC412, Interleaved 2 of 5, UPC/EAN, Codabar, Code 93, Pharmacode, PLANET, POSTNET, Japanese Postal, Australia Post, Royal Mail, Intelligent Mail, KIX

### PIN ASSIGNMENTS

#### Micro-B USB Socket



No.	Function
1	Vbus (5V)
2	D-
3	D+
4	NC
5	Ground



**Note:** Nominal dimensions shown. Typical tolerances apply.

### SAFETY AND QUALITY

FCC, CE, RoHS-Compliant

### QMS CERTIFICATION

[www.microscan.com/quality](http://www.microscan.com/quality)

# MICROSCAN®

[www.microscan.com](http://www.microscan.com)

©2016 Microscan Systems, Inc. SP090A-EN-0616

Specifications are subject to change.  
 For complete technical information, please see the  
 MicroHAWK ID-20/ID-30/ID-40 User Manual, available at  
[www.microscan.com](http://www.microscan.com).

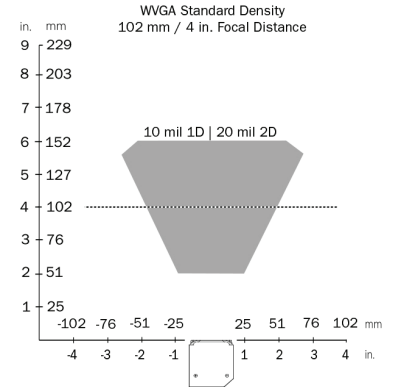
Warranty – For current warranty information about this product, please visit [www.microscan.com/warranty](http://www.microscan.com/warranty).

# MICROHAWK ID-20 READ RANGES

## WVGA Sensor Read Ranges

Focal Distance		WVGA HIGH DENSITY						WVGA STANDARD DENSITY					
		Field of View		Typical 2D Mil Size	Depth of Field (mm)		Min. 2D Mil Size	Field of View		Typical 2D Mil Size	Depth of Field (mm)		Min. 2D Mil Size
in.	mm	in.	mm	mil size	Inside	Outside	mil size	in.	mm	mil size	Inside	Outside	mil size
2.0	50	1.4	35	7.5	43	58	5	2.0	50	10	38	65	7.5
2.5	64	1.5	38	7.5	55	73	5	2.2	55	10	49	78	7.5
3.2	81	1.9	49	10	65	97	7.5	2.8	70	15	56	106	10
4.0	102	2.6	65	10	83	121	10	3.7	94	20	52	152	15
5.2	133	3.1	80	15	90	176	10	4.5	115	20	78	187	15
7.5	190	4.5	114	20	133	246	15	6.5	165	30	128	252	20
11.8	300	7.1	180	30	179	422	30	10.2	260	40	219	381	30

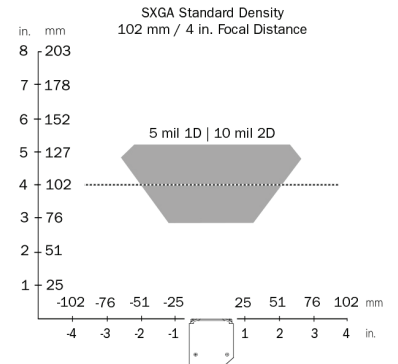
### Example Read Range:



## SXGA Sensor Read Ranges

Focal Distance		SXGA HIGH DENSITY						SXGA STANDARD DENSITY					
		Field of View		Typical 2D Mil Size	Depth of Field (mm)		Min. 2D Mil Size	Field of View		Typical 2D Mil Size	Depth of Field (mm)		Min. 2D Mil Size
in.	mm	in.	mm	mil size	Inside	Outside	mil size	in.	mm	mil size	Inside	Outside	mil size
2.0	50	1.5	37	5	47	55	3.3	2.1	53	7.5	37	64	5
2.5	64	1.6	41	5	58	70	3.3	2.3	59	7.5	49	78	5
3.2	81	2.0	52	7.5	70	92	5	2.9	75	7.5	60	102	7.5
4.0	102	2.7	69	7.5	88	116	5	3.9	100	10	74	131	7.5
5.2	133	3.4	85	10	107	159	7.5	4.8	123	10	88	161	10
7.5	190	4.8	122	15	137	243	10	6.9	175	15	115	265	15
11.8	300	7.6	192	20	185	400	15	10.9	277	20	224	427	20

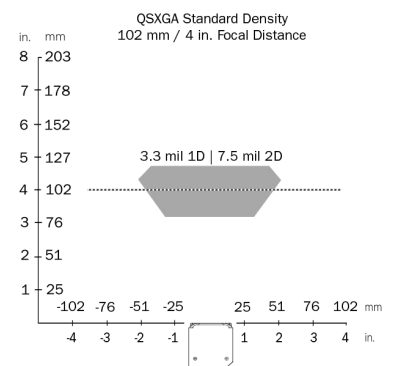
### Example Read Range:



## QSXGA Sensor Read Ranges

Focal Distance		QSXGA HIGH DENSITY						QSXGA STANDARD DENSITY					
		Field of View		Typical 2D Mil Size	Depth of Field (mm)		Min. 2D Mil Size	Field of View		Typical 2D Mil Size	Depth of Field (mm)		Min. 2D Mil Size
in.	mm	in.	mm	mil size	Inside	Outside	mil size	in.	mm	mil size	Inside	Outside	mil size
2.0	50	1.4	35	5	46	55	3.3	2.0	51	5	43	59	3.3
2.5	64	1.5	39	5	59	68	3.3	2.2	57	5	55	72	3.3
3.2	81	2.0	50	5	74	87	3.3	2.8	72	5	69	92	5
4.0	102	2.6	66	5	94	110	3.3	3.8	96	7.5	80	124	5
5.2	133	3.2	81	7.5	112	153	5	4.6	117	7.5	107	159	7.5
7.5	190	4.6	116	10	154	227	7.5	6.6	168	10	150	231	10
11.8	300	7.2	184	15	227	373	10	10.4	265	15	203	397	15

### Example Read Range:



**Note:** Minimum 1D element is typically 1/2 the size of minimum 2D element. Example: 10 mil 2D = 5 mil 1D.  
Specifications are subject to change. For complete technical information, please see the *MicroHAWK ID-20/ID-30/ID-40 User Manual*, available at [www.microscan.com](http://www.microscan.com).